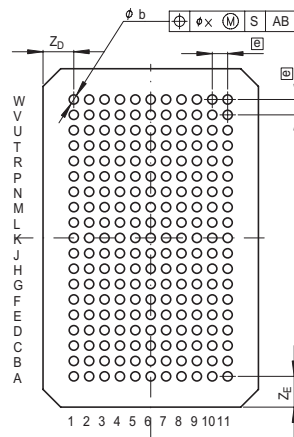
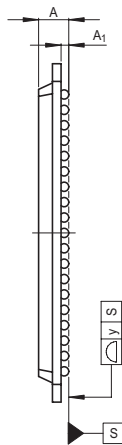
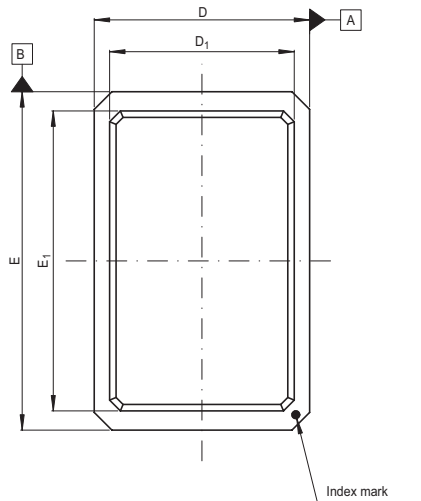


JEITA Package Code  
P-BGA209-14x22-1.00

RENESAS Code  
PRBG0209FA-A

Previous Code  
209F7X-A

MASS[Typ.]  
1.0g



Reference Symbol	Dimension in Millimeters		
	Min	Nom	Max
D	13.8	14.0	14.2
E	21.8	22.0	22.2
A	—	—	2.2
A <sub>1</sub>	0.4	0.5	0.6
$\phi$	—	1.0	—
b	0.5	0.6	0.7
x	—	—	0.25
y	—	—	0.15
Z <sub>D</sub>	—	2.0	—
Z <sub>E</sub>	—	2.0	—
D <sub>1</sub>	11.8	12.0	12.2
E <sub>1</sub>	19.3	19.5	19.7