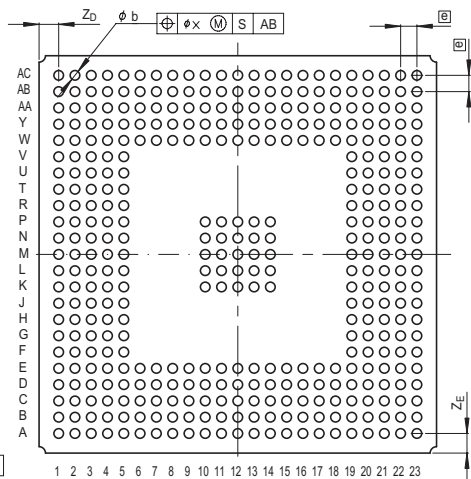
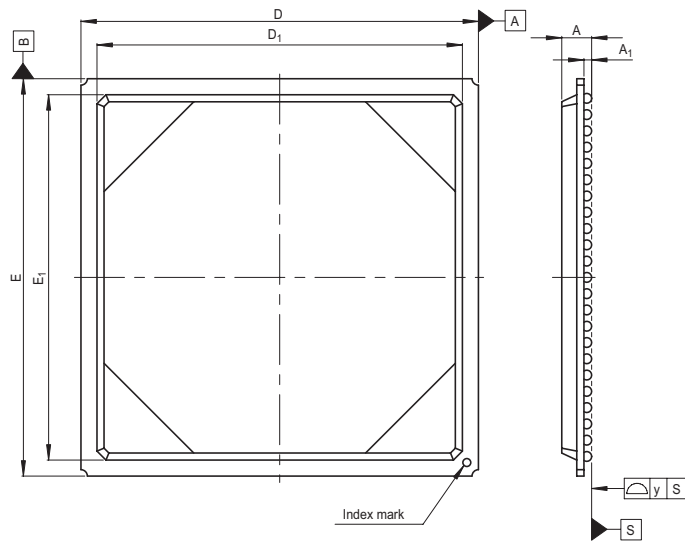


JEITA Package Code  
P-HBGA385-31x31-1.27

RENESAS Code  
PRBG0385DB-A

Previous Code  
385F7X-C

MASS[Typ.]  
4.7g



Reference Symbol	Dimension in Millimeters		
	Min	Nom	Max
D	30.8	31.0	31.2
E	30.8	31.0	31.2
A	—	—	2.6
A <sub>1</sub>	0.5	0.6	0.7
e	—	1.27	—
b	0.6	0.75	0.9
x	—	—	0.30
y	—	—	0.15
Z <sub>D</sub>	—	1.53	—
Z <sub>E</sub>	—	1.53	—
D <sub>1</sub>	28.3	28.5	28.7
E <sub>1</sub>	28.3	28.5	28.7