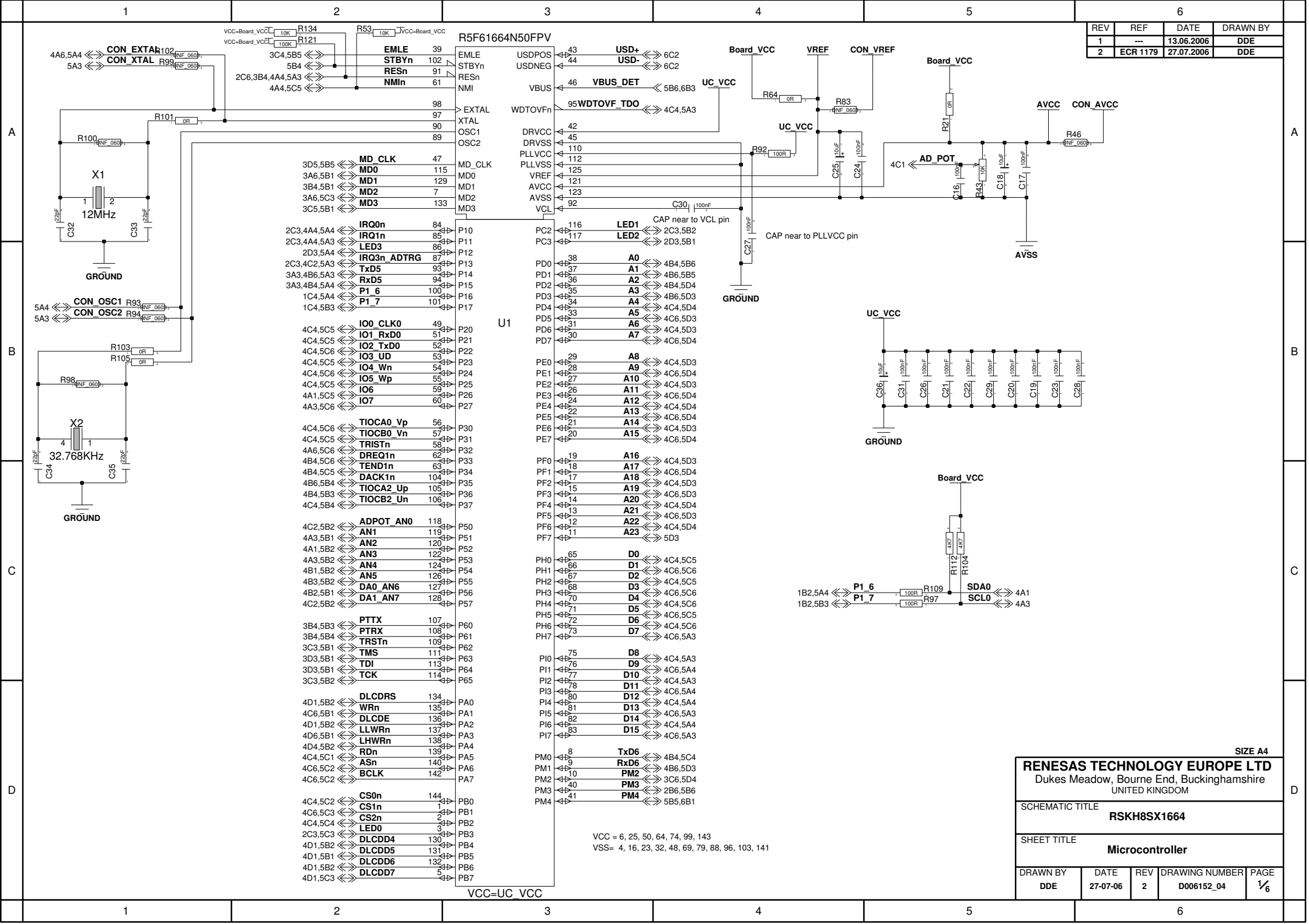


REV	REF	DATE	DRAWN BY
1	---	13.06.2006	DDE
2	ECR 1179	27.07.2006	DDE



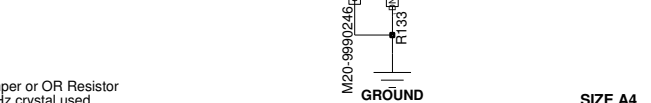
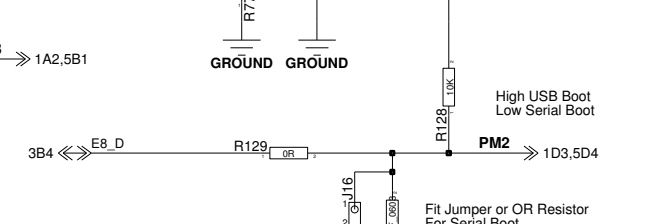
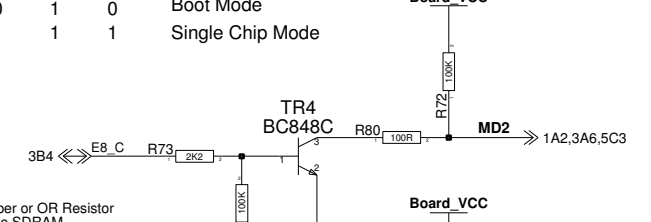
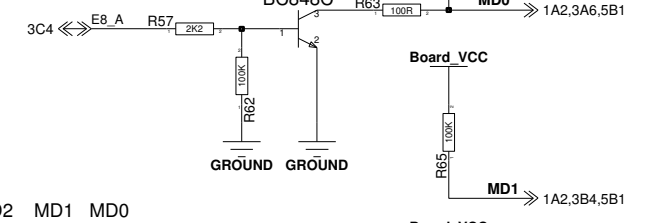
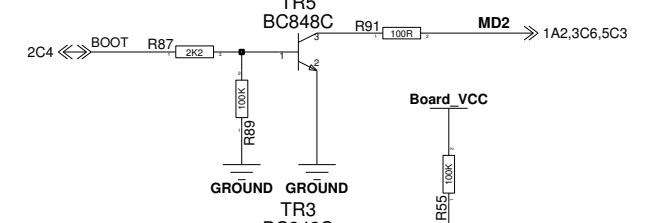
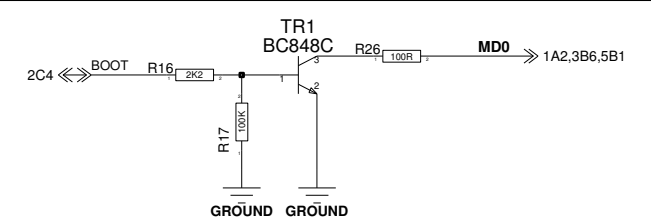
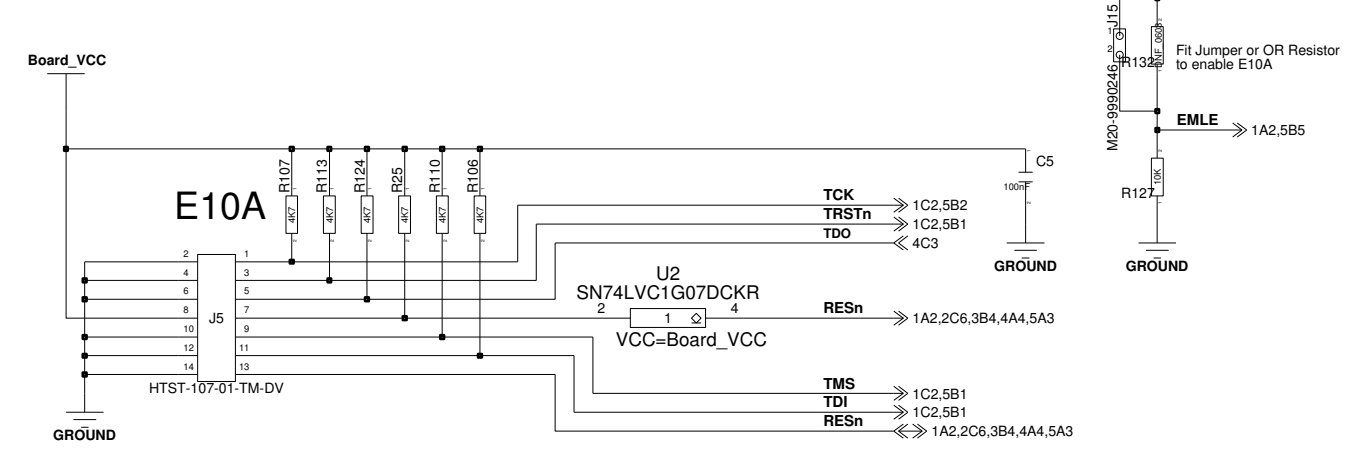
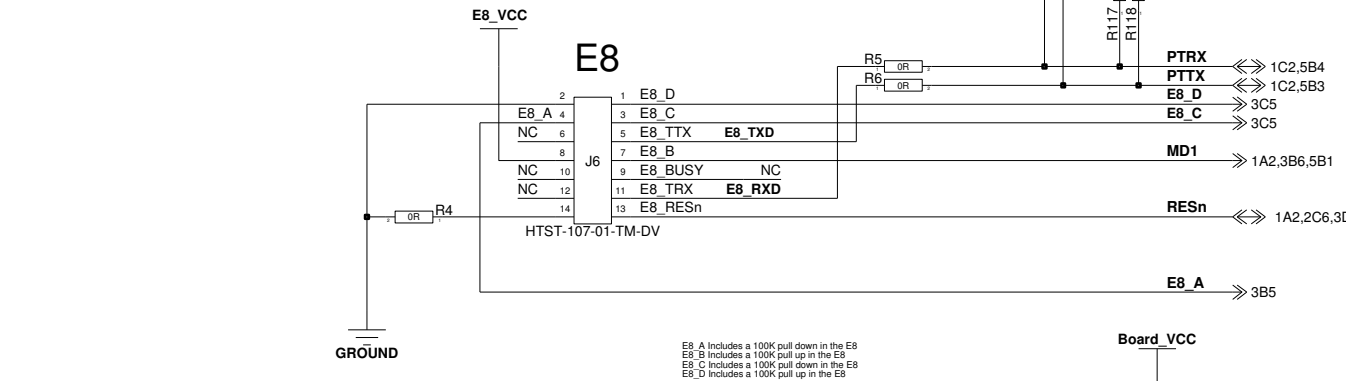
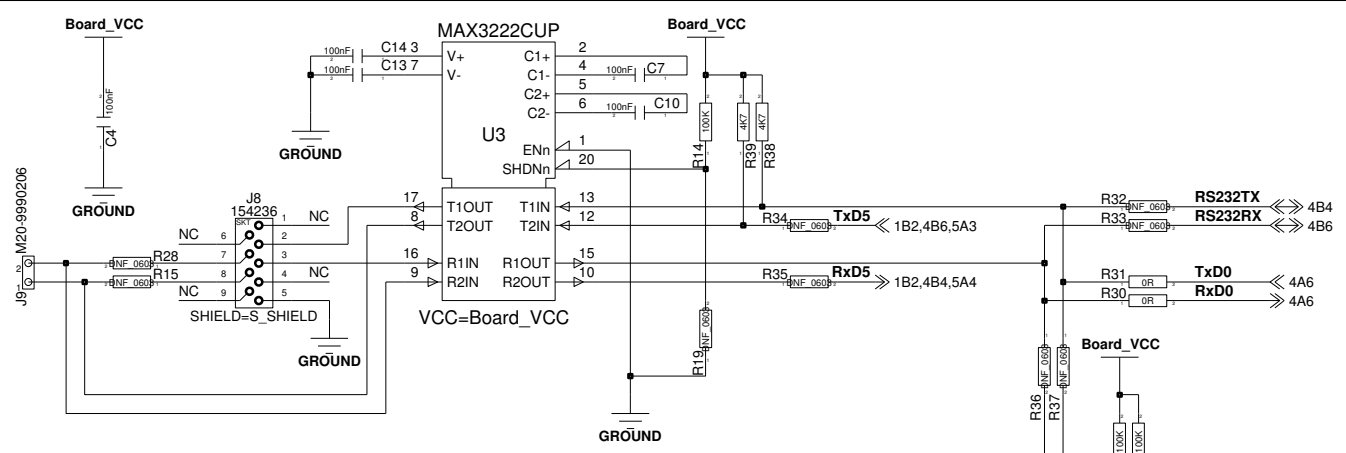
39	EMLE	43	USD+	6C2
102	STBYn	44	USD-	6C2
91	RESn	46	VBUS_DET	5B6,6B3
61	NMI	95	WDTOVFn	4C4,5A3
98	EXTAL	42	DRVCC	45
97	XTAL	45	110	112
90	OSC1	110	PLLVCC	112
89	OSC2	112	PLLSS	125
47	MD_CLK	125	VREF	121
115	MD0	121	AVCC	123
129	MD1	123	AVSS	92
7	MD2	92	VCL	116
133	MD3	116	PC2	117
84	IRQ0n	117	PC3	38
85	IRQ1n	38	PD0	37
86	LED3	37	PD1	36
87	LED3n	36	PD2	35
87	ADTRG	35	PD3	34
93	TxD5	34	PD4	33
94	RxD5	33	PD5	31
100	P1_6	31	PD6	30
101	P1_7	30	PD7	29
49	IO0_CLK0	29	PE0	28
51	IO1_RxD0	28	PE1	27
52	IO2_TxD0	27	PE2	26
53	IO3_UD	26	PE3	24
54	IO4_Wn	24	PE4	22
55	IO5_Wp	22	PE5	21
59	IO6	21	PE6	20
59	IO7	20	PE7	19
56	TIOCA0_Vp	19	PF0	18
57	TIOC80_Vn	18	PF1	17
58	TRISTn	17	PF2	15
62	DREQ1n	15	PF3	14
63	TEND1n	14	PF4	13
104	DACK1n	13	PF5	12
105	TIOCA2_Up	12	PF6	11
105	TIOC82_Un	11	PF7	65
106	ADPOT_AN0	65	PH0	66
118	AN1	66	PH1	67
119	AN2	67	PH2	68
120	AN3	68	PH3	70
122	AN4	70	PH4	71
122	AN5	71	PH5	72
124	AN6	72	PH6	73
126	AN7	73	PH7	75
127	DA0_AN6	75	PI0	76
128	DA1_AN7	76	PI1	77
107	PTTX	77	PI2	78
108	PTRX	78	PI3	80
109	TRSTn	80	PI4	81
109	TMS	81	PI5	82
111	TDI	82	PI6	83
113	TCK	83	PI7	8
114	TCK	8	PM0	9
134	DLCDRS	9	PM1	10
135	WRn	10	PM2	40
136	DLCDE	40	PM3	41
136	LLWRn	41	PM4	8
137	LHWRn	8	TxD6	4B4,5C4
138	RDn	9	RxD6	4B6,5D3
139	ASn	10	PM2	3C6,5D4
140	BCLK	40	PM3	2B6,5B6
140	CS0n	41	PM4	5B5,6B1
141	CS1n	8		
142	CS2n	9		
2	LED0	10		
3	LED0	40		
3	LED0	41		
130	DLCDD4	8		
131	DLCDD5	9		
131	DLCDD6	10		
132	DLCDD6	40		
132	DLCDD6	41		
5	DLCDD7	8		
5	DLCDD7	9		

VCC = 6, 25, 50, 64, 74, 99, 143  
VSS= 4, 16, 23, 32, 48, 69, 79, 88, 96, 103, 141

VCC=UC\_VCC

RENASAS TECHNOLOGY EUROPE LTD				
Dukes Meadow, Bourne End, Buckinghamshire UNITED KINGDOM				
SCHEMATIC TITLE				
RSKH8SX1664				
SHEET TITLE				
Microcontroller				
DRAWN BY	DATE	REV	DRAWING NUMBER	PAGE
DDE	27-07-06	2	D006152_04	1/6



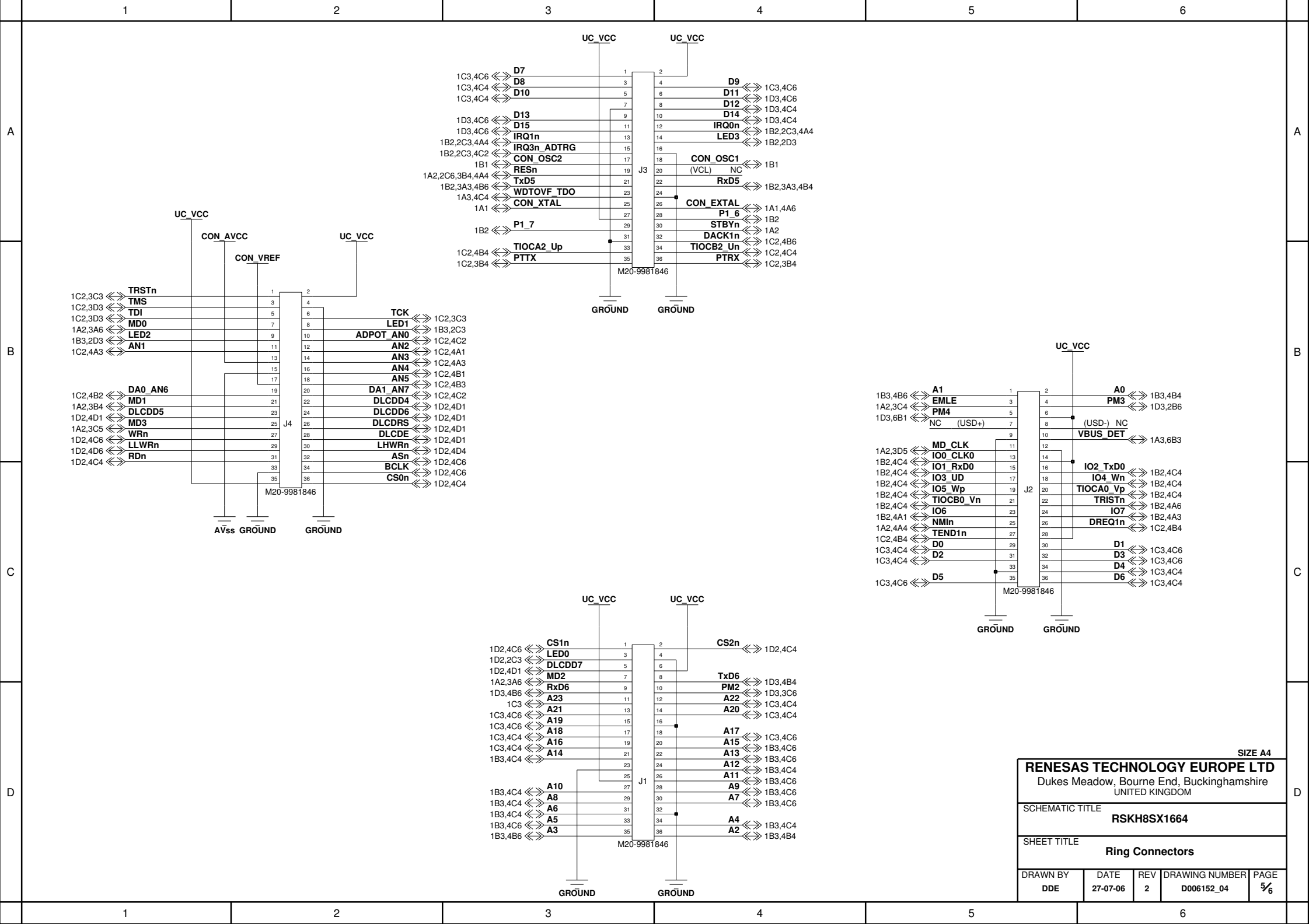


SIZE A4					
<b>RENESAS TECHNOLOGY EUROPE LTD</b> Dukes Meadow, Bourne End, Buckinghamshire UNITED KINGDOM					
SCHEMATIC TITLE <b>RSKH8SX1664</b>					
SHEET TITLE <b>E8 &amp; E10A Debug connectors &amp; Serial Port</b>					
DRAWN BY DDE	DATE 27-07-06	REV 2	DRAWING NUMBER D006152_04	PAGE 3/6	

E8\_A includes a 100K pull down in the E8  
E8\_B includes a 100K pull up in the E8  
E8\_C includes a 100K pull down in the E8  
E8\_D includes a 100K pull up in the E8

MD2	MD1	MD0	Boot Mode
0	1	0	Single Chip Mode
1	1	1	





SIZE A4

**RENESAS TECHNOLOGY EUROPE LTD**  
 Dukes Meadow, Bourne End, Buckinghamshire  
 UNITED KINGDOM

SCHEMATIC TITLE  
**RSKH8SX1664**

SHEET TITLE  
**Ring Connectors**

DRAWN BY DDE	DATE 27-07-06	REV 2	DRAWING NUMBER D006152_04	PAGE 5/6
-----------------	------------------	----------	------------------------------	-------------

