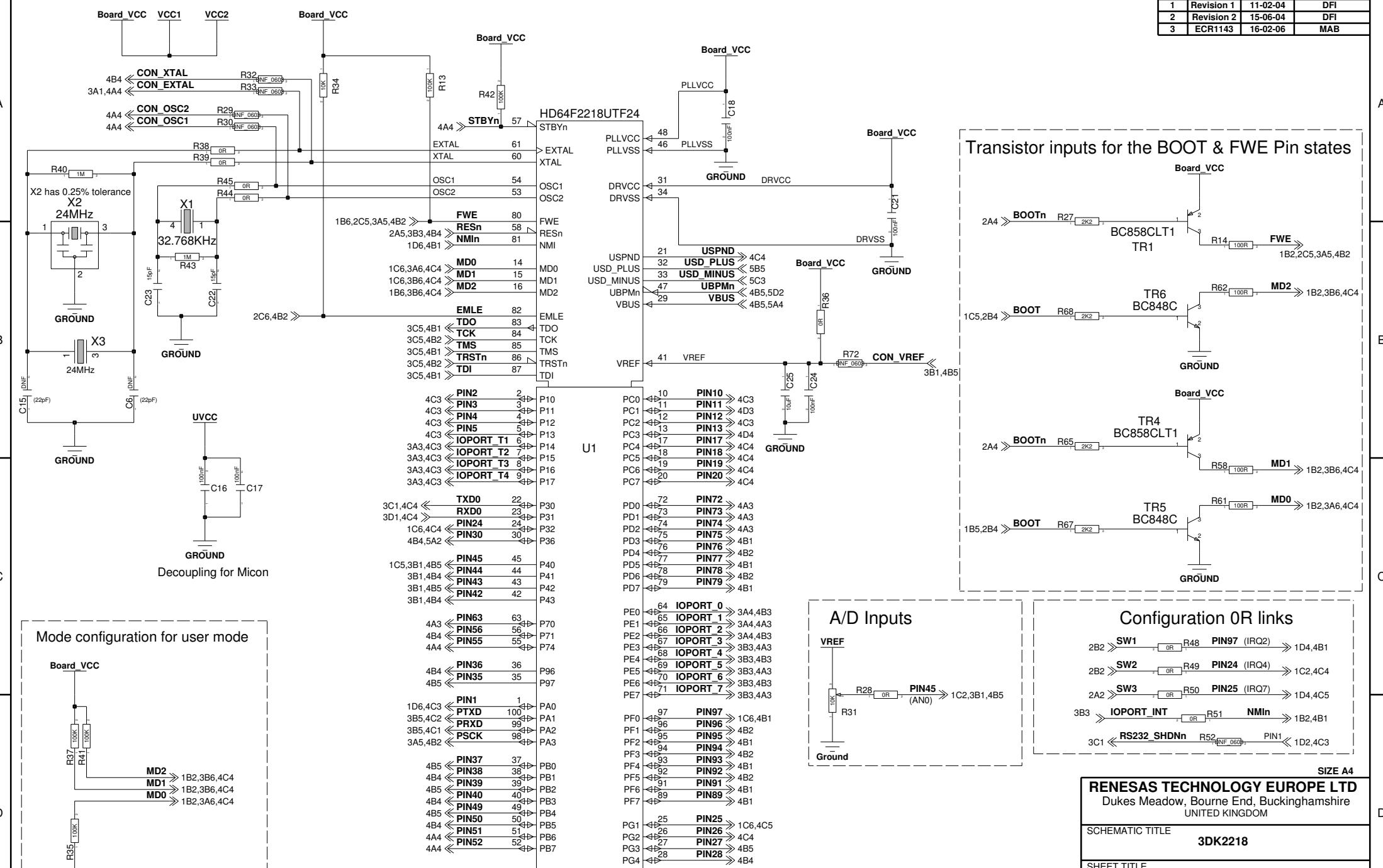


REV	REF	DATE	DRAWN BY
1	Revision 1	11-02-04	DFI
2	Revision 2	15-06-04	DFI
3	ECR1143	16-02-06	MAB



VCC=UVCC
 Power : 62, 88
 Ground : 59, 90

SIZE A4

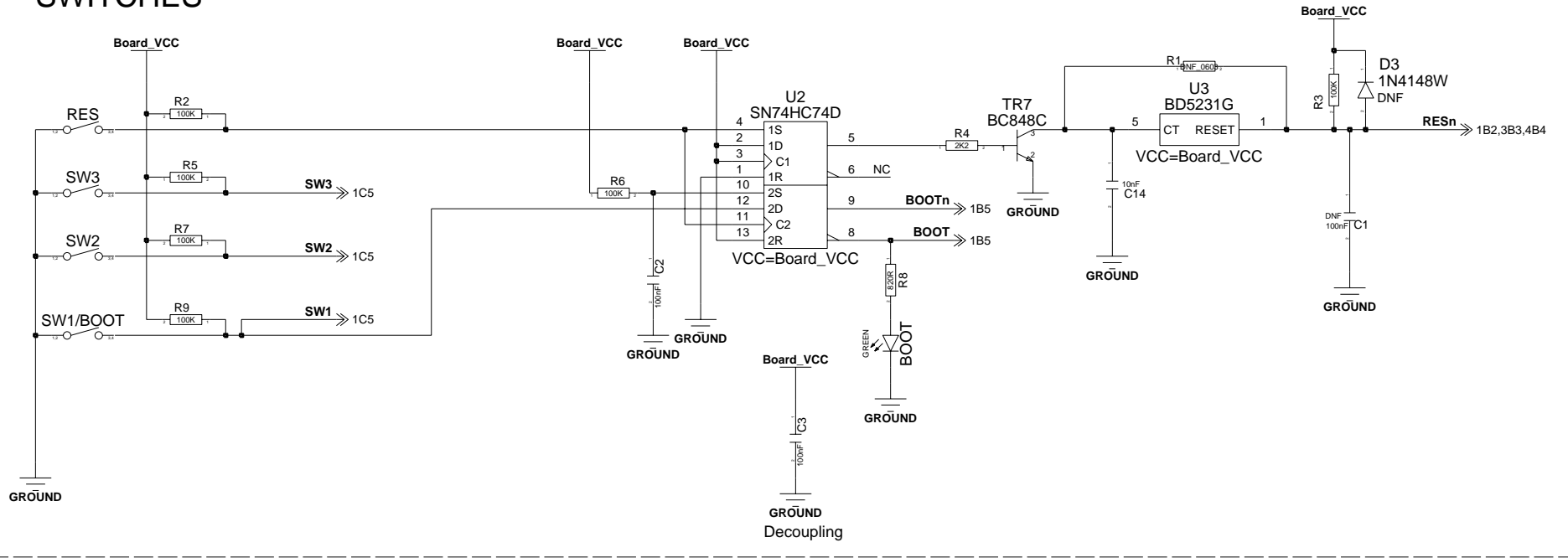
RENESAS TECHNOLOGY EUROPE LTD
 Dukess Meadow, Bourne End, Buckinghamshire
 UNITED KINGDOM

SCHEMATIC TITLE
3DK2218

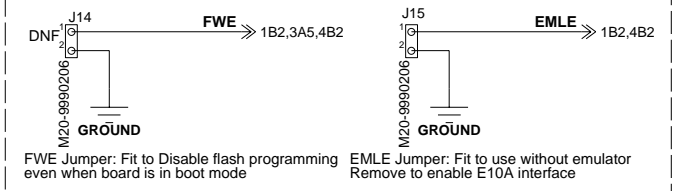
SHEET TITLE
Micon

DRAWN BY D.File	DATE 16-02-06	REV 3	DRAWING NUMBER D005312_04	PAGE 1/5
--------------------	------------------	----------	------------------------------	-------------

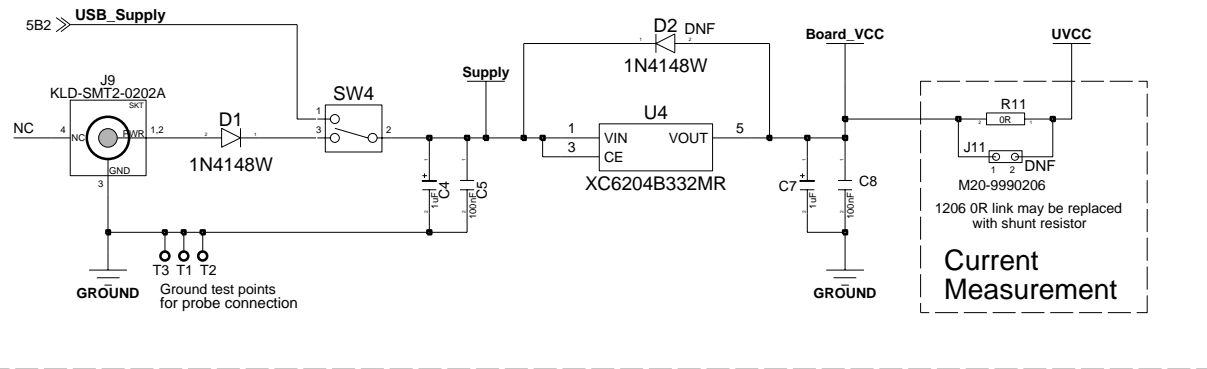
SWITCHES



Jumper Configuration

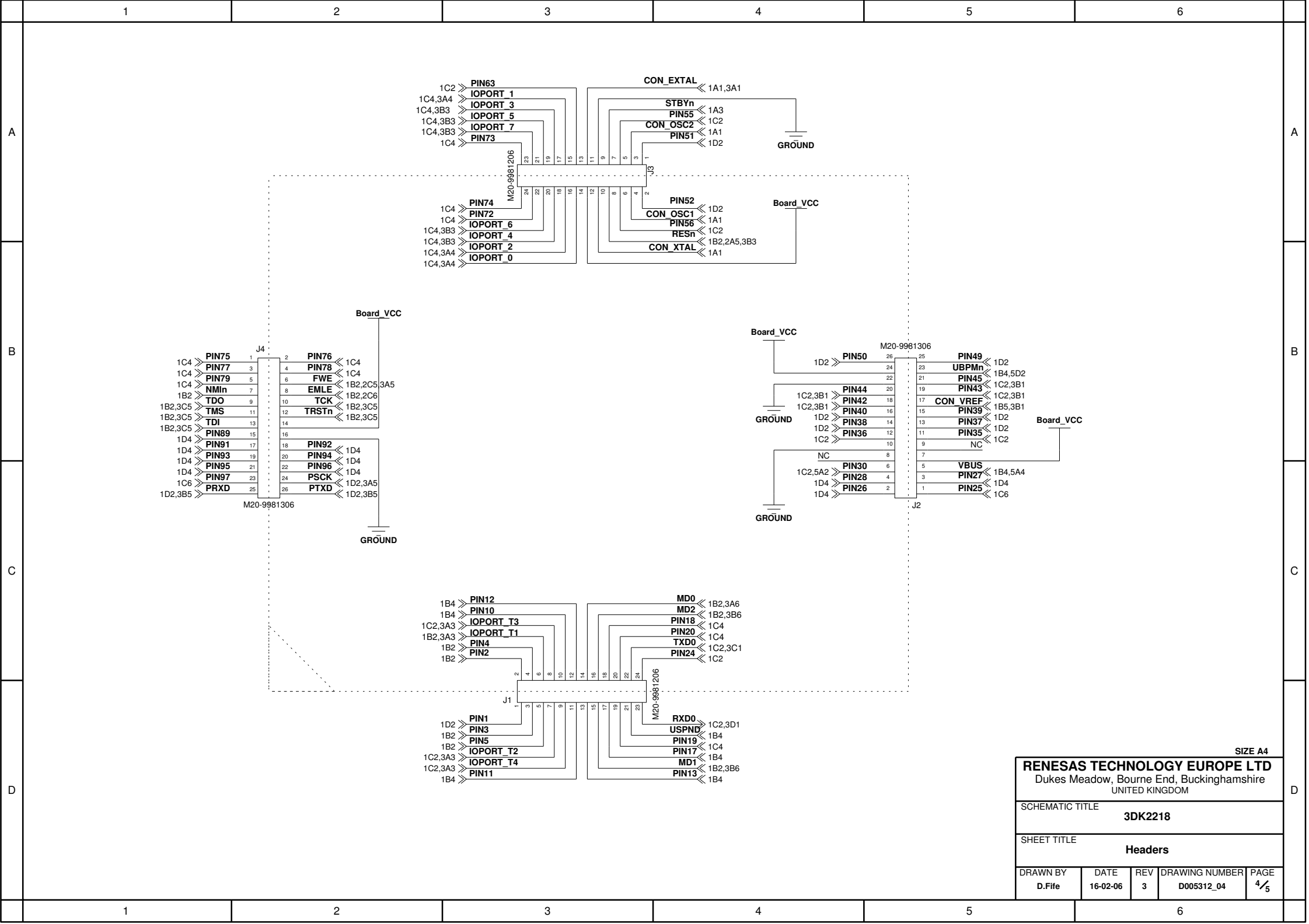


PSU



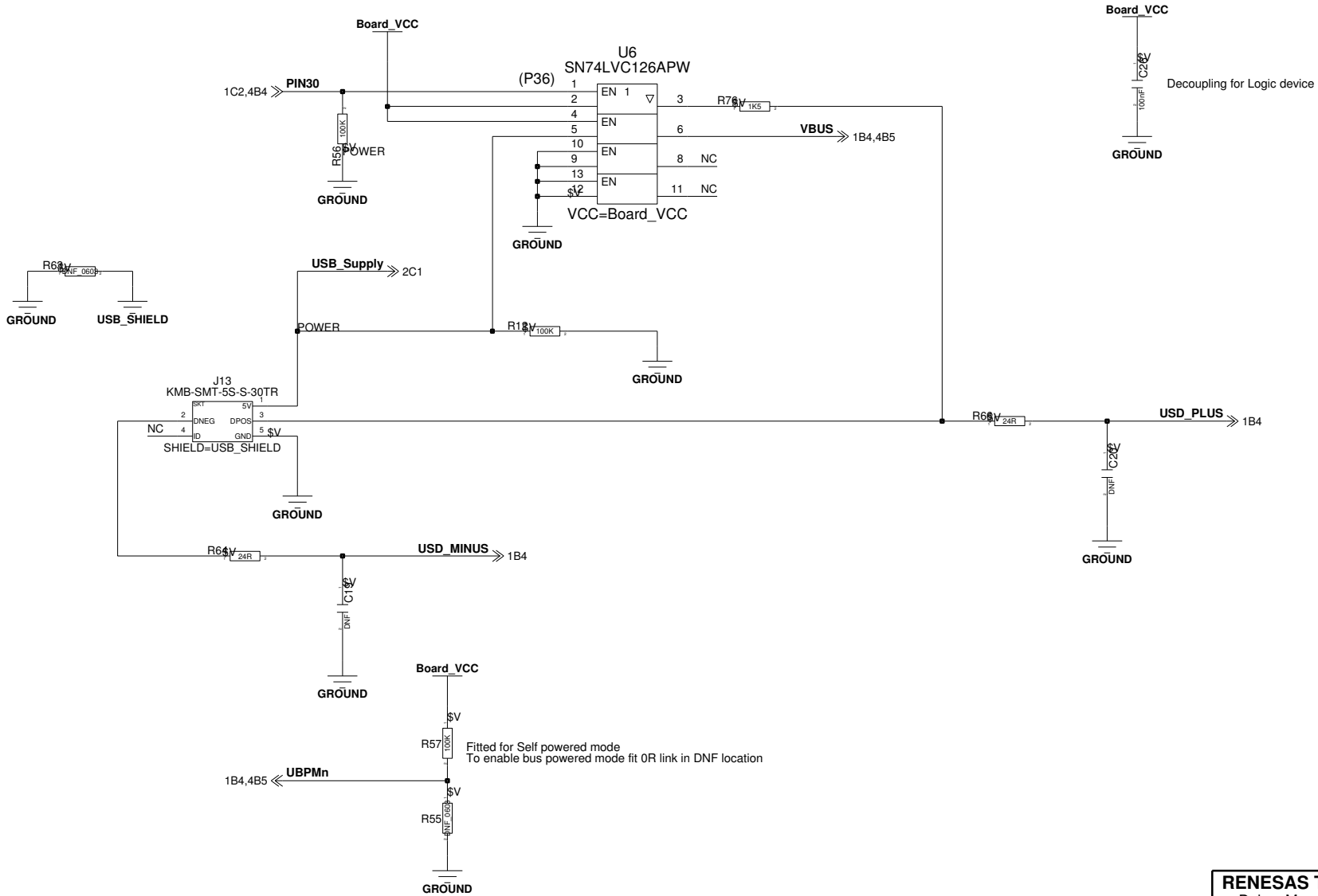
SIZE A4

RENESAS TECHNOLOGY EUROPE LTD Dukes Meadow, Bourne End, Buckinghamshire UNITED KINGDOM				
SCHEMATIC TITLE 3DK2218				
SHEET TITLE Switches and PSU				
DRAWN BY D.Fife	DATE 16-02-06	REV 3	DRAWING NUMBER D005312_04	PAGE 2/5



SIZE A4

RENESAS TECHNOLOGY EUROPE LTD Dukes Meadow, Bourne End, Buckinghamshire UNITED KINGDOM				
SCHEMATIC TITLE				
3DK2218				
SHEET TITLE				
Headers				
DRAWN BY	DATE	REV	DRAWING NUMBER	PAGE
D.Fife	16-02-06	3	D005312_04	4/5



SIZE A4

RENESAS TECHNOLOGY EUROPE LTD Dukes Meadow, Bourne End, Buckinghamshire UNITED KINGDOM				
SCHEMATIC TITLE 3DK2218				
SHEET TITLE USB Circuitry				
DRAWN BY D.File	DATE 16-02-06	REV 3	DRAWING NUMBER D005312_04	PAGE 5/5